

3-way ball valve, stainless steel, L or T-borehole 1/4" up to 4"



Item description

Materials:

Body: 1.4408 (> G 2": 1.4307),

Ball: 1.4408 (> G 2": 1.4307),

Seal: PTFE,

Handle: 1.4301

Temperature range:

-20°C to max. +200°C

(> G 2": -20°C to max. +160°C)

Switching position:

Can be changed by moving the handle according to different positions

The standard position for T boreholes is position T1 (> G 2": T2).

Properties:

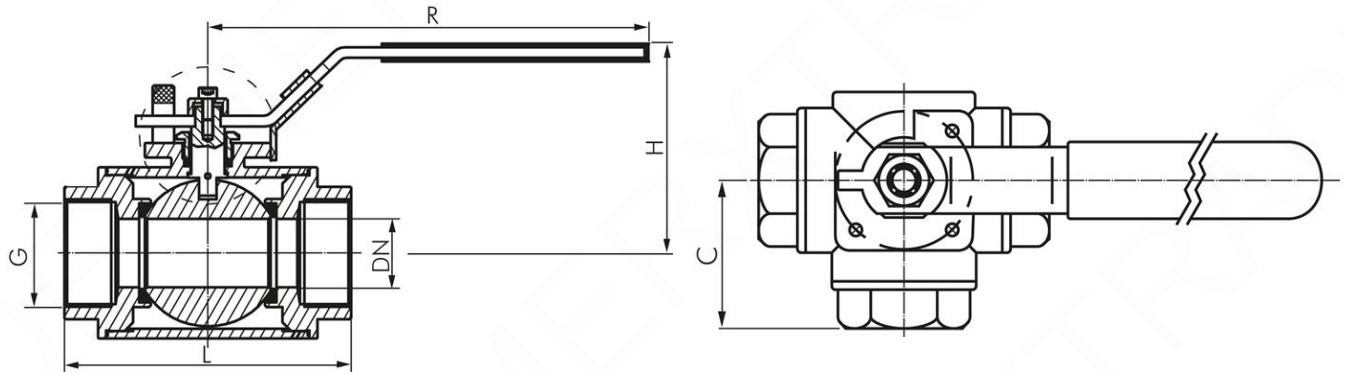
Pressure inlet is possible from all the three sides

Operating range:

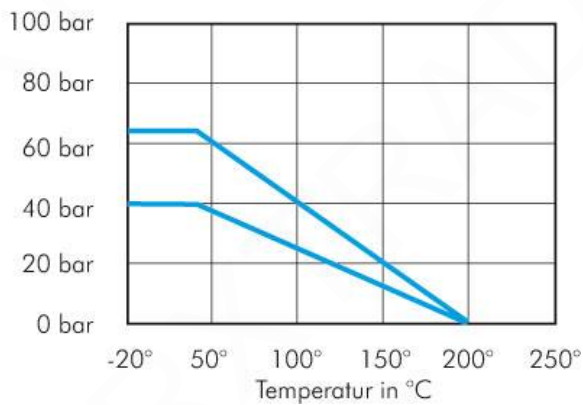
Water, oil, compressed air, fuels, solvents, aggressive media

Advantages:

- assembly flange according to ISO 5211, permits mounting of a drive,
- lockable hand lever, please order the padlocks separately



G	L	H	R	C	PN	ISO 5211
G 1/4"	77,8	65	147	38,9	63 bar	F 04
G 3/8"	77,8	65	147	38,9	63 bar	F 04
G 1/2"	77,8	65	147	38,9	63 bar	F 04
G 3/4"	85,5	82	191	42,8	63 bar	F 05
G 1"	106,1	86	191	53,1	63 bar	F 05
G 1 1/4"	123,1	93	230	61,6	63 bar	F 05
G 1 1/2"	131,2	105	245	65,6	63 bar	F 07
G 2"	159,4	117	245	79,7	40 bar	F 07
G 2 1/2"	160,0	130	285	80,0	25 bar	---
G 3"	200,0	145	310	100,0	16 bar	---
G 4"	240,0	160	310	120,0	16 bar	---

Diagramm 3 - PN 63


		Standard	L-bore	T-bore			
Position	operated						
	uninvolved						
bore position			L	T1	T2	T3	T4

All data are to be understood as non-binding reference values! We do not assume liability for any data selection not confirmed in writing. Unless otherwise specified, pressure values refer to liquids from Group II at +20°C.